

Product: HEIGHT ADJUSTABLE WORKSTATION

EVolution is the *Evo Sit&Stand* version equipped with pedestal drawers, open front compartments, filing cabinets and front screen panels in fabric or lateral panels in glass. *EVolution* tops are 30 mm thick and, as *EVO* model, are available bench compositions up to 6 seats.



TECHNICAL FEATURES

Top: Tops are made in 30 mm thick (1"1/8) chipboard panels with antiscratch and anti-reflect melamine surfaces; top are edged in 2,5 mm thick (1") PVC.

Tops also available in Ergo Laminate finish.

Storage units: base storage units are made in 30 mm (1"1/8) thick chipboard panels (for tops and bottoms) or 18 mm (3/4") thick chipboard panels (for sides, drawers, hinged doors, backs, dividing panels).

FINISHES

Top:

Melamine: UE White, Silver, Titanio, Delavè, Comfort, White Snow, Magnolia, Oak 2017, Eucalyptus, White Colour Fir.

Laminate: White Snow.

Legs and Modesty panel:

Melamine: see finishes for the top.

Lacquered: Glossy White (only with Laminate top).

The Modesty panel is in the same finish as the legs.

Storage units:

Melamine: see finishes for the top.

Sablè lacquered, available in different sample collection colours.

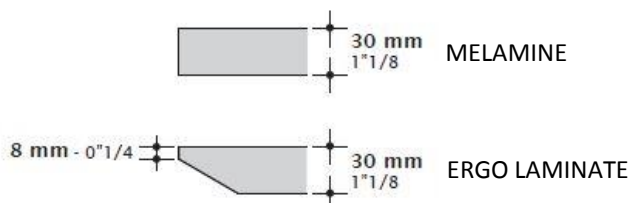
Front panel: Smart Office - Fabric cat. B, F, G, L.

Side dividing panel:

Back-lacquered etched glass: White, Silver, Titanio, Brown, Alfa Red.

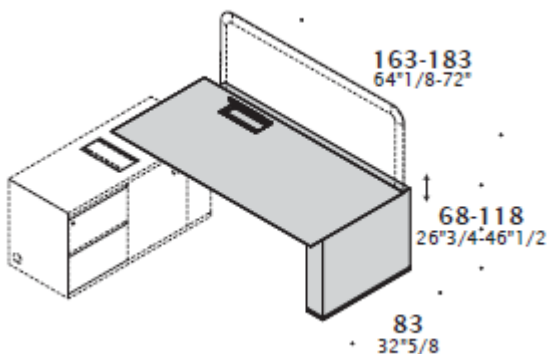
CERTIFICATIONS

The product respect all safety prescriptions and has succeeded the highest levels on prestatonal certifications.



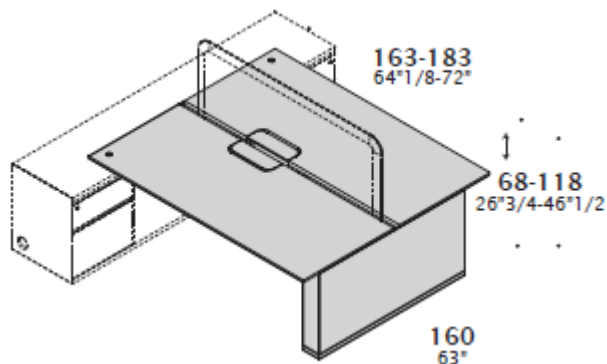
DIMENSIONS

Single desk



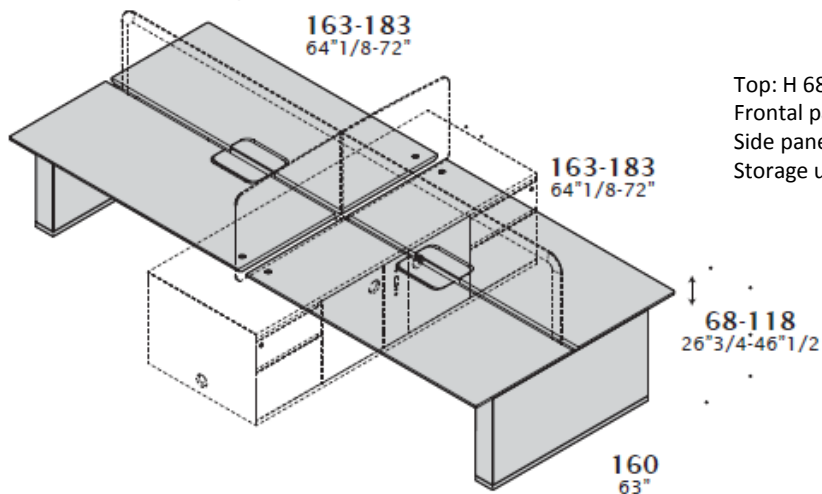
Top: H 68-188 and D 83 available with W 163-183
 Frontal panel: H 64,5 (25''3/8) + W 130-150 (51''1/8-59'')
 Storage unit: H 62,5 (24''5/8) + W 50 (19''5/8) + D 120 (47''1/4)

2 seats bench



Top: H 68-188 and D 160 available with W 163-183
 Frontal panel: H 64,5 (25''3/8) + W 130-150 (51''1/8-59'')
 Storage unit: H 62,5 (24''5/8) + W 50 (19''5/8) + D 220 (86''5/8)

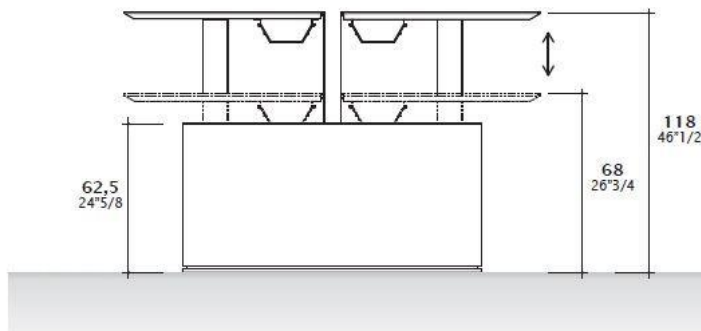
4 seats bench



Top: H 68-188 and D 160 available with W 326 - 366
 Frontal panel: H 64,5 (25''3/8) + W 260-300 (102''3/8-118''1/8)
 Side panel: H 64,5 (25''3/8) + W 160 (63'')
 Storage unit: H 62,5 (24''5/8) + W 85 (33''1/2) + D 220 (86''5/8)

Sit&Stand top adjustment

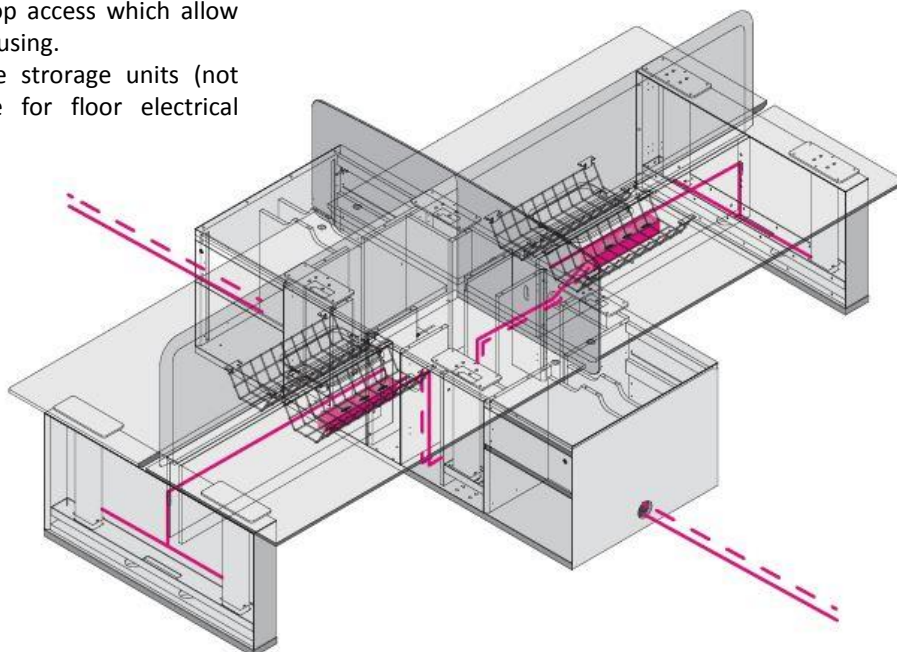
Sit&Stand certified mechanism is a system for height top adjustment that allow to work comfortably both in a seated or standing position (height top from 68 - 26''3/4 - to 118 cm - 46''1/2). The last generation lifting columns with silent motorized system are synchronized by a central unit and can be activated by the button integrated on the worktop. The cable management tube is always included.



Electrification

The top electrification is made by a top access which allow the access to a cable tray for sockets housing.

The wiring system pass through base storage units (not visible), in which there is the hole for floor electrical alimentation.



Multiple sockets

Multiple sockets are provided with 3 m lenght cable and Schuko plug.

A
Schuko - UE socket

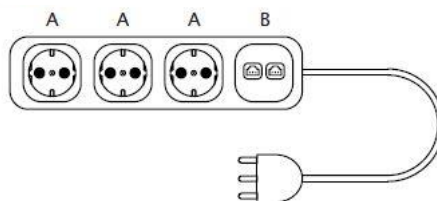
B
n° 2 RJ45 socket cat. 6 (data/telephone)

C
n° 2 USB charger socket 5V

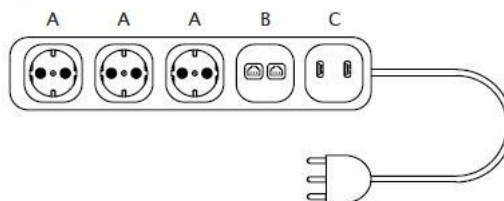
D
n° 1 HDMI socket (video) + n° 1 USB socket

- On request we can also supply international sockets.

TYPE 1



TYPE 2



TYPE 3

